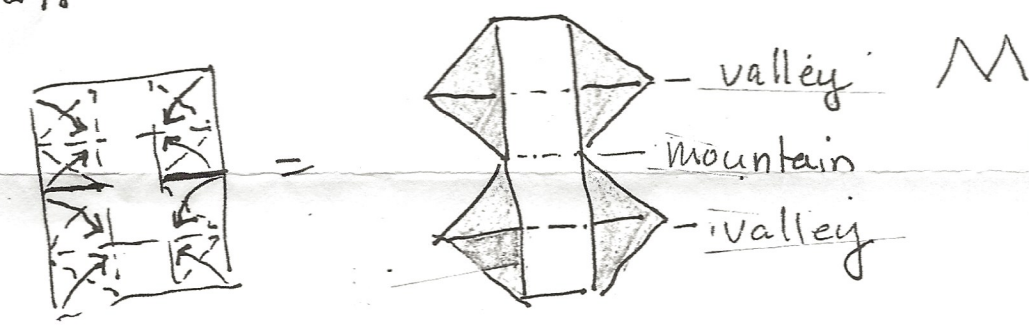
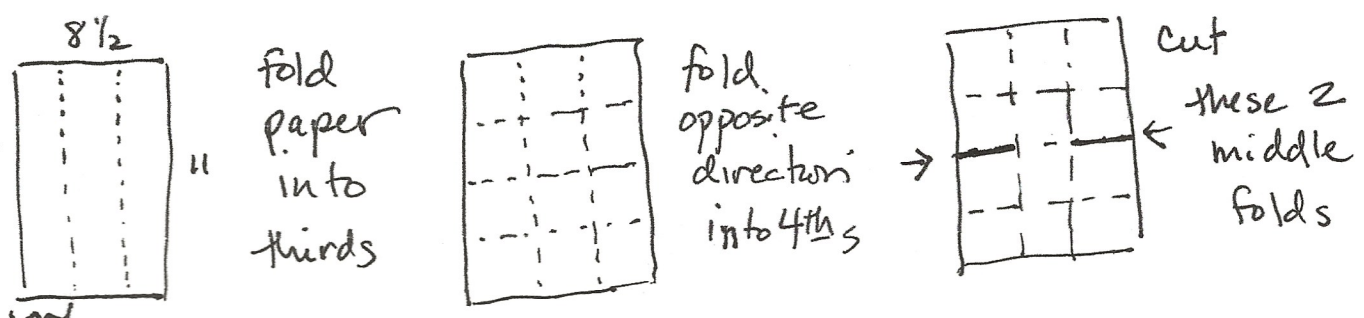
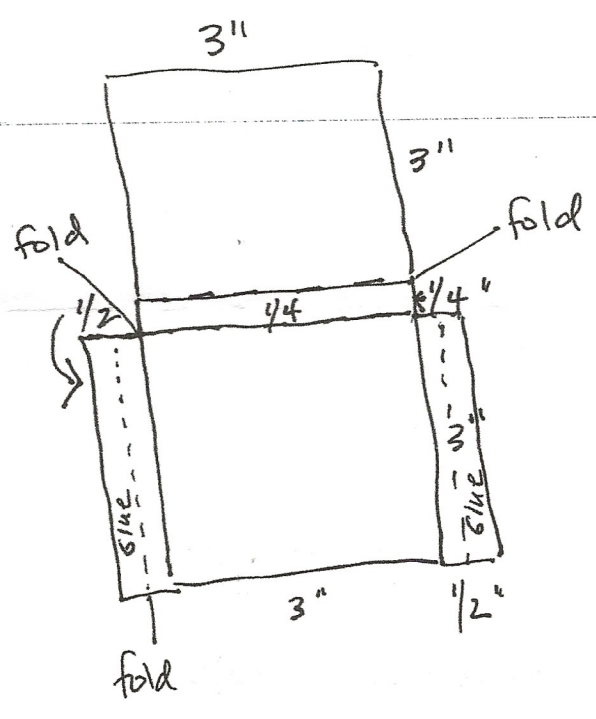


A Pocket Book Card with Sleeve



make 4 cards 2 1/2 x 2 1/2 - write messages or collage for pockets

sleeve for card



materials needed

- 8.5 x 11 piece of scrapbook paper
- ruler
- 1 pair of scissors
- 4 pieces of paper 2 1/2 x 2 1/2
- pens, inks, collage material for card embellishment